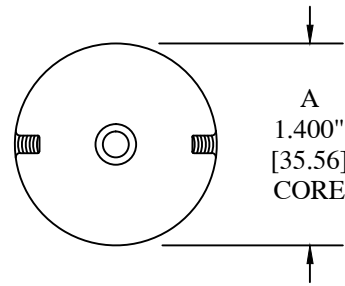
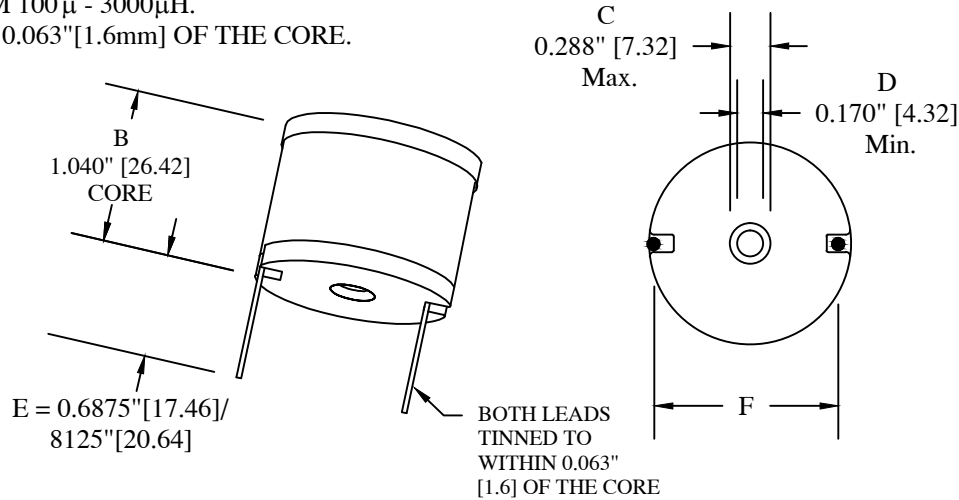


- DRUM CORE POWER INDUCTORS RATED BETWEEN 3.4A - 12.0AD.C. FOR SWITCHMODE POWER SUPPLIES AND OTHER APPLICATIONS.
- INDUCTANCE RANGE FROM 100 μ - 3000 μ H.
- LEADS TINNED TO WITHIN 0.063"[1.6mm] OF THE CORE.



Top View



Bottom View

Note: Units mount using a non-metallic #8 screw

ELECTRICAL PARAMETERS					F DIM.
PREM P/N	MAX. DCR	INDUCTANCE	DC AMPS	LEAD SIZE	(CTR - CTR)
SPB-400	0.025 Ω	100 μ H	12	14 Gauge	1.14" [28.96]
SPB-401	0.039 Ω	150 μ H	10	15 Gauge	1.14" [28.96]
SPB-402	0.044 Ω	200 μ H	10	15 Gauge	1.14" [28.96]
SPB-403	0.064 Ω	300 μ H	8.5	16 Gauge	1.14" [28.96]
SPB-404	0.075 Ω	375 μ H	8.5	16 Gauge	1.14" [28.96]
SPB-405	0.081 Ω	450 μ H	8.5	16 Gauge	1.14" [28.96]
SPB-406	0.102 Ω	500 μ H	7.0	17 Gauge	1.14" [28.96]
SPB-407	0.113 Ω	600 μ H	7.0	17 Gauge	1.14" [28.96]
SPB-408	0.150 Ω	700 μ H	5.5	18 Gauge	1.14" [28.96]
SPB-409	0.167 Ω	850 μ H	5.5	18 Gauge	1.14" [28.96]
SPB-410	0.191 Ω	1.0 mH	5.5	18 Gauge	1.14" [28.96]
SPB-411	0.251 Ω	1.3 mH	4.3	19 Gauge	1.14" [28.96]
SPB-412	0.288 Ω	1.6 mH	4.3	19 Gauge	1.14" [28.96]
SPB-413	0.391 Ω	2.0 mH	3.4	20 Gauge	1.14" [28.96]
SPB-414	0.498 Ω	3.0 mH	3.4	20 Gauge	1.14" [28.96]

Mech - Elect SPB-400 Series

Notes

ALL DIMENSIONS FOR REFERENCE ONLY

[] = millimeters

-1 Added millimeters 1jk

PREM
MAGNETICS INCORPORATED
3521 N. CHAPEL HILL RD.
JOHNSBURG, IL 60051

PREM
PART # SPB 400
THROUGH SPB 414

Approved: TJK
Scale: NONE
Date: 10/12/2005